

DESCRIPTION

Equipment made to protect the hoses from the crossing of all types of vehicles. This hose protector device is composed of two ramps Ø70 with lower hooks (rep.1), two bridges Ø110 (rep.2) and two ramps Ø70 with upper hooks (rep.3), to enable the crossing of two Ø45 hoses, two Ø70 hoses and one Ø110 hose. If needed, it's easy and quick to add more bridges Ø110 (rep.2) between the ramps (rep.1 and rep.3).

It's also possible to use the ramps (rep.1 and rep.3) without any bridges (rep.2) for the protection of 2 hoses of 45 and 2 of 70.

The crossing of vehicles is easy thanks to:

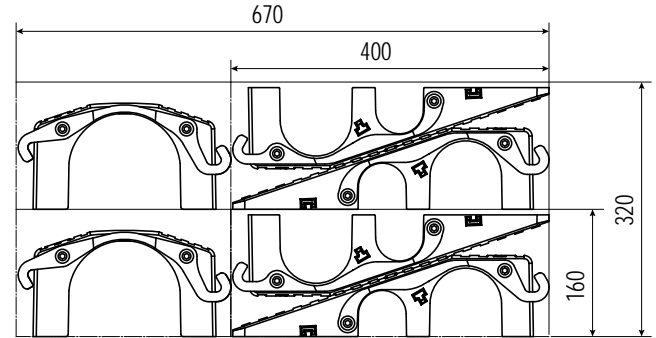
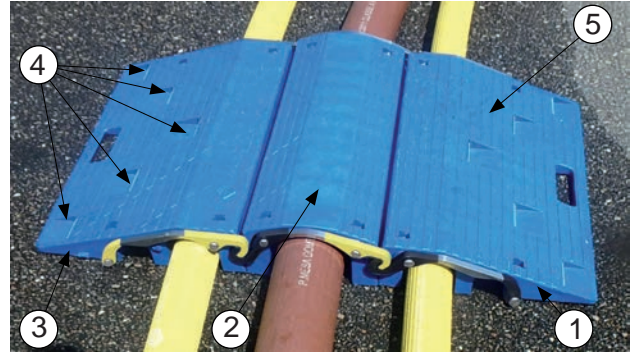
- the gentle slope of the ramp,
 - the low height : 102 mm for the Ø70 ramps,
133 mm for the Ø110 ramps,
 - high visibility : strong contrast between the blue color and the color of the hoses.
- Moreover, on each ramp, five reflective plates (rep.4) make an arrow shape
- the anti-slip surface (rep.5) has grooves for a better water evacuation.

CONSTRUCTION

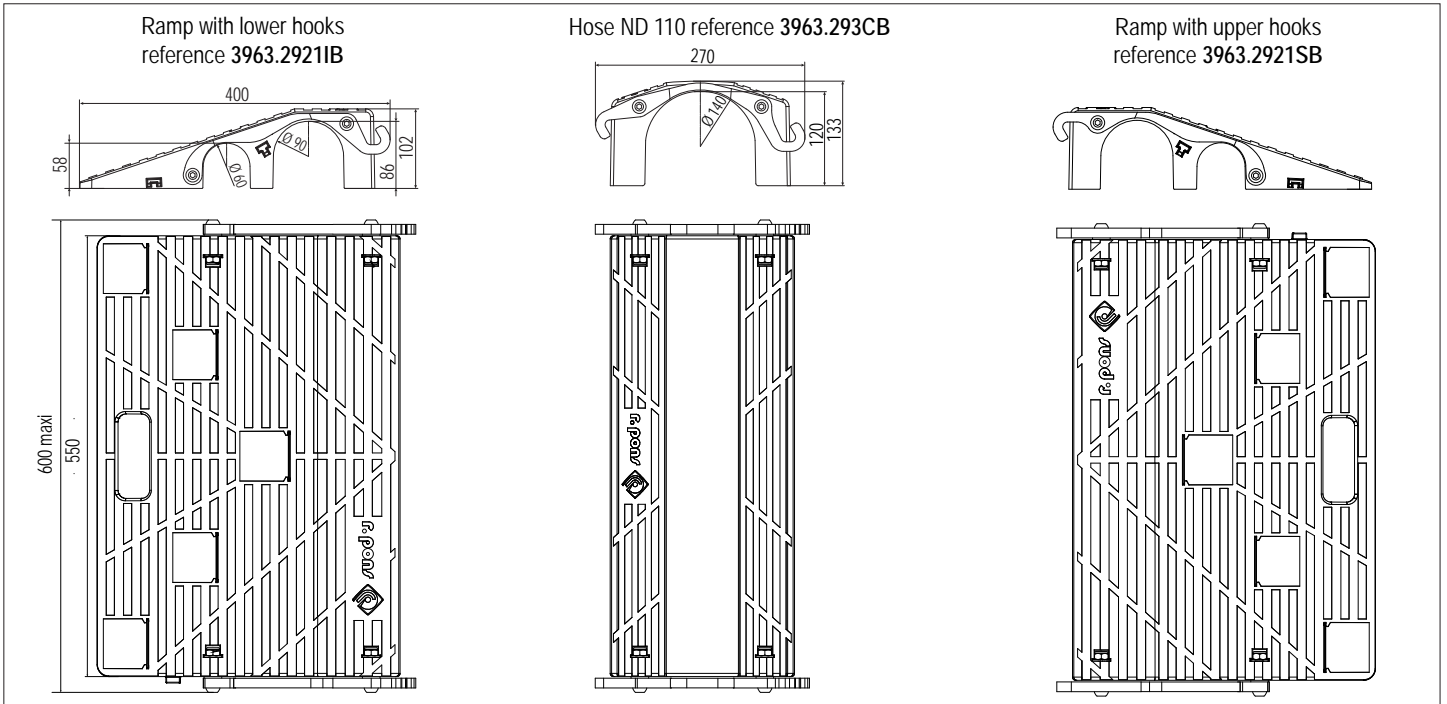
Technical plastic material with metallic reinforcement, specially designed for a great resistance and durability.

Hooks in treated steel and screws in stainless steel.

Reflexite for the reflective plates.



Total weight < 72kg - Storage volume < 130 liters - Length 600mm maxi



CHARACTERISTICS

Article reference	Designation	Components			Weight (kg)
		Ramp with lower hooks *	Ramp with upper hooks *	Bridge *	
3963.2932B	Complete crossing device with hooks ND110	2	2	2	70
3963.2934B	Complete crossing device with hooks 2x ND110	2	2	4	100
3963.2924B	Complete crossing device with hooks ND70	2	2	0	40
3963.29211B	Ramp with lower hooks ND70	1	0	0	10
3963.2921SB	Ramp with upper hooks ND70	0	1	0	10
3963.293CB	Hose bridge with hooks ND110	0	0	1	15

* These elements can be supplied separately.

The drawings and diagrams in the present document are for illustration only and do not constitute an offer. We reserve the right to make any modification without former information.

CAUTION

The ramps with reference 3963.2921IB, 3963.2921SB and the bridge 3963.293CB cannot be use alone.

SAFETY

The user instructions have to be known and followed, the users must have received proper trainings. The hoses bridges are aimed to resist to moderate shocks and crushing caused by light road vehicles and trucks, equipped with tyres. The maximum load per axle is to be understood with the whole tyre width in contact with the hose bridge.

8 tons with stud tyres of off-road vehicles types
 (for instance forest fire tank trucks)



10 tons with road tyres types



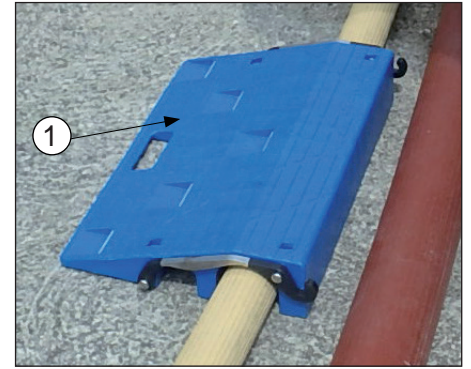
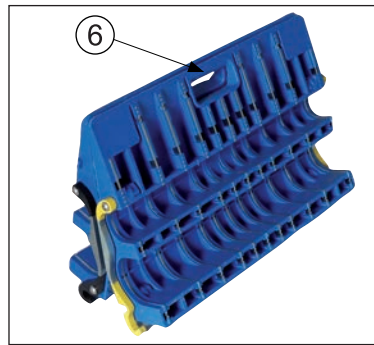
The vehicles must have a sufficient ground clearance not to drag along the top of the hose bridge. These hose bridges must not be used as blocking or stabilization devices, or any other application which will not be the one it has been designed for.

INSTALLATION

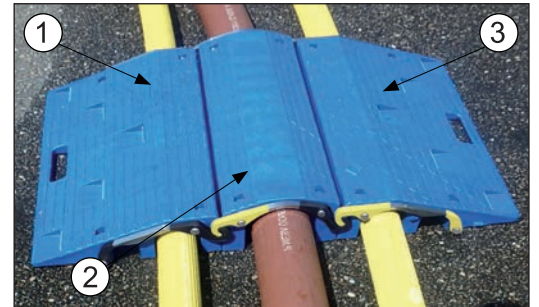
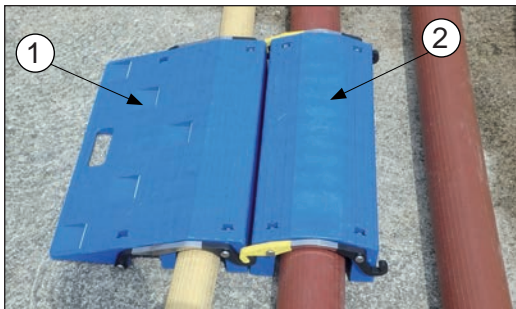
The ramps can be transported easily by pair thanks to their handle (rep. 6).

Only one person needed for their installation thanks to their light weight.

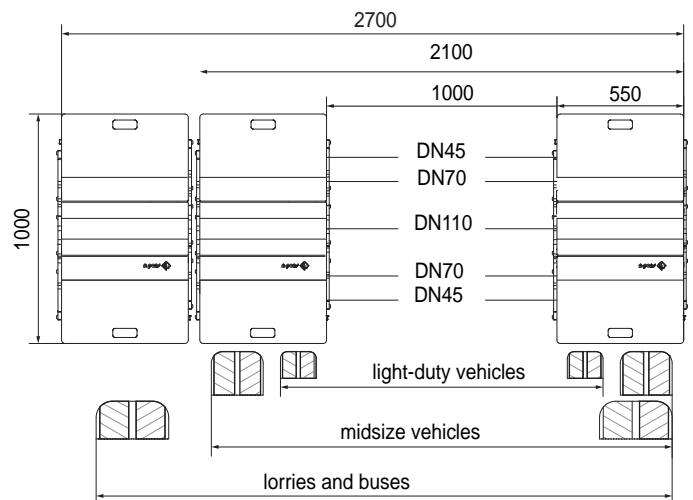
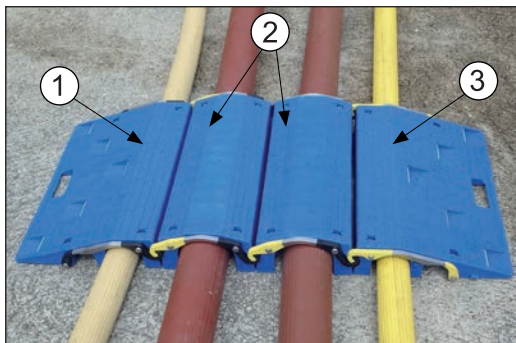
Start by putting the ramp with lower hooks (rep. 1), black hooks close to the hose of 110.



Put the Ø110 (rep. 2) over the hose and click the yellow hooks of the bridge (rep. 2) on the black hooks of the ramp (rep. 1). Finish by putting the ramp with the upper hooks (rep. 3) by clicking the yellow upper hooks of the ramp to the black hooks of the bridge (rep. 2).



Several Ø110 bridges (rep. 2) can be easily added before finalizing the installation by the ramp with upper hooks (rep. 3).



THE PONS

- New modular concept.
- Robustness (shapes and material).
- Weight and reduced storage place.
- Easy operation (intuitive assembling and disassembling).
- Reduced maintenance.